

TORNILLO TURBO SCREW

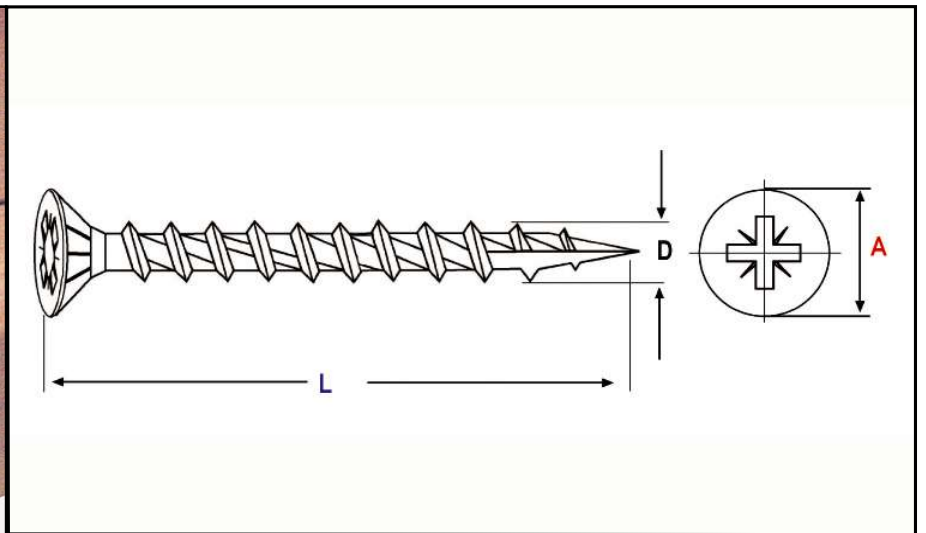
Código	Diámetro	Largo "L"	Envase
--------	----------	-----------	--------

Diámetro Cabeza "A"	Diámetro Rosca "D"	# Punta Pozidrive	Altura Cabeza "H"
---------------------	--------------------	-------------------	-------------------

Zincado Iridiscente

01TMTS	#5[3.0]	12	1 G
02TMTS	#5[3.0]	16	1 G
03TMTS	#5[3.0]	20	1 G
04TMTS	#5[3.0]	25	1 G
11TMTS	#6[3.5]	20	1 G
12TMTS	#6[3.5]	25	1 G
13TMTS	#6[3.5]	30	1 G
14TMTS	#6[3.5]	35	1 G
15TMTS	#6[3.5]	40	1 G
16TMTS	#6[3.5]	45	1 G
17TMTS	#6[3.5]	50	1 G
18TMTS	#8[4.0]	20	1 G
19TMTS	#8[4.0]	25	1 G
20TMTS	#8[4.0]	30	1 G
21TMTS	#8[4.0]	35	1 G
22TMTS	#8[4.0]	40	1 G
23TMTS	#8[4.0]	45	1 G
24TMTS	#8[4.0]	50	1 G
46TMTS	#8[4.0]	70	1 G
27TMTS	#9[4.5]	30	1 G
28TMTS	#9[4.5]	35	1 G
29TMTS	#9[4.5]	40	1 G
31TMTS	#9[4.5]	50	1 G
32TMTS	#9[4.5]	60	1 G
33TMTS	#9[4.5]	70	1 G
46TMTS	#9[4.5]	90/60	1 G
38TMTS	#10[5.0]	50	1 G
39TMTS	#10[5.0]	60	1 G
40TMTS	#10[5.0]	70/60	1 G
45TMTS	#10[5.0]	90/60	1 G
41TMTS	#14[6.0]	80/60	1 G
42TMTS	#14[6.0]	100/60	1 G
43TMTS	#14[6.0]	120/72	1 G
44TMTS	#14[6.0]	140/72	1 G

6.0	3.0	1	2,46
7.0	3.5	2	2,93
8.0	4.0	2	3,18
9.9	4.5	2	3,55
10,0	5.0	2	3,96
12,0	6.0	3	4,85



Ruspert 1000 horas

R17TMTS	#6[3.5]	50	1 G
R25TMTS	#8[4.0]	70	1 G
R45TMTS	#10[5.0]	90	1 G

7,0	3,5	2	2,93
8,0	4,0	2	3,18
10,0	5,0	2	3,96

